



Please help to find info about enries marked as *No info*

PMDRAG

This is not real DLL, but forwarders to [PMCTLS.DLL](#).

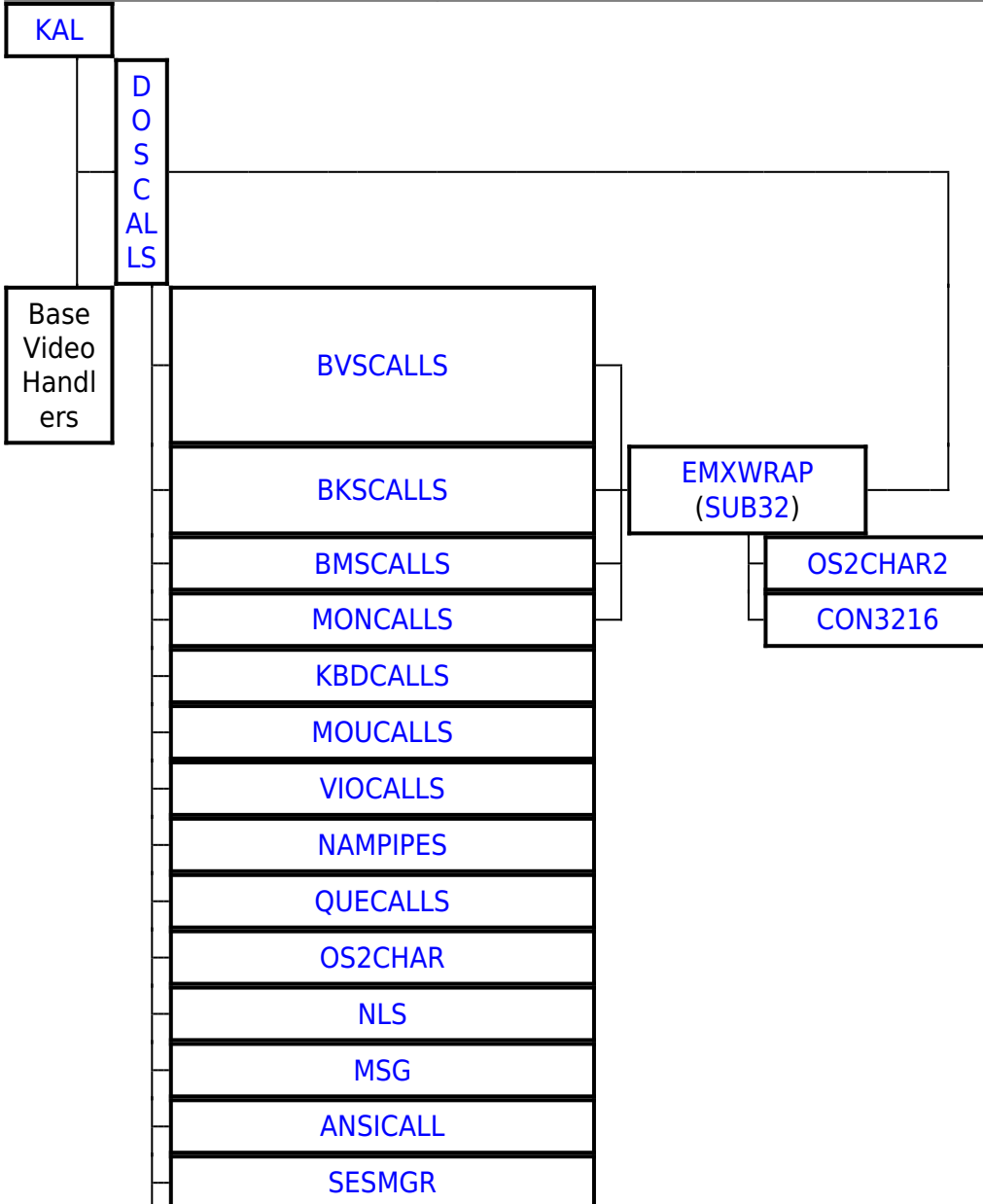
Ordinal	Name	Desc	Status
1	DrgAccessDraginfo	Forwarder to PMCTLS.41	Done
2	DrgAddStrHandle	Forwarder to PMCTLS.42	Done
3	DrgAllocDraginfo	Forwarder to PMCTLS.43	Done
4	DrgAllocDragtransfer	Forwarder to PMCTLS.44	Done
5	DrgDeleteDraginfoStrHandles	Forwarder to PMCTLS.45	Done
6	DrgDeleteStrHandle	Forwarder to PMCTLS.46	Done
7	DrgDrag	Forwarder to PMCTLS.47	Done
8	DrgFreeDraginfo	Forwarder to PMCTLS.48	Done
9	DrgFreeDragtransfer	Forwarder to PMCTLS.49	Done
10	DrgGetPS	Forwarder to PMCTLS.50	Done
11	DrgPostTransferMsg	Forwarder to PMCTLS.51	Done
12	DrgPushDraginfo	Forwarder to PMCTLS.52	Done
13	DrgQueryDragitem	Forwarder to PMCTLS.53	Done
14	DrgQueryDragitemCount	Forwarder to PMCTLS.54	Done
15	DrgQueryDragitemPtr	Forwarder to PMCTLS.55	Done
16	DrgQueryNativeRMF	Forwarder to PMCTLS.56	Done
17	DrgQueryNativeRMFLen	Forwarder to PMCTLS.57	Done
18	DrgQueryStrName	Forwarder to PMCTLS.58	Done
19	DrgQueryStrNameLen	Forwarder to PMCTLS.59	Done
20	DrgQueryTrueType	Forwarder to PMCTLS.60	Done
21	DrgQueryTrueTypeLen	Forwarder to PMCTLS.61	Done
22	DrgReleasePS	Forwarder to PMCTLS.62	Done
23	DrgSendTransferMsg	Forwarder to PMCTLS.63	Done
24	DrgSetDragPointer	Forwarder to PMCTLS.64	Done
25	DrgSetDragImage	Forwarder to PMCTLS.65	Done
26	DrgSetDragItem	Forwarder to PMCTLS.66	Done
27	DrgVerifyNativeRMF	Forwarder to PMCTLS.67	Done
28	DrgVerifyRMF	Forwarder to PMCTLS.68	Done
29	DrgVerifyTrueType	Forwarder to PMCTLS.69	Done
30	DrgVerifyType	Forwarder to PMCTLS.70	Done
31	DrgVerifyTypeSet	Forwarder to PMCTLS.71	Done
32	Drg32AccessDraginfo	Forwarder to PMCTLS.74	Done
33	Drg32AddStrHandle	Forwarder to PMCTLS.75	Done
34	Drg32AllocDraginfo	Forwarder to PMCTLS.76	Done
35	Drg32AllocDragtransfer	Forwarder to PMCTLS.77	Done
36	Drg32DeleteDraginfoStrHandles	Forwarder to PMCTLS.78	Done

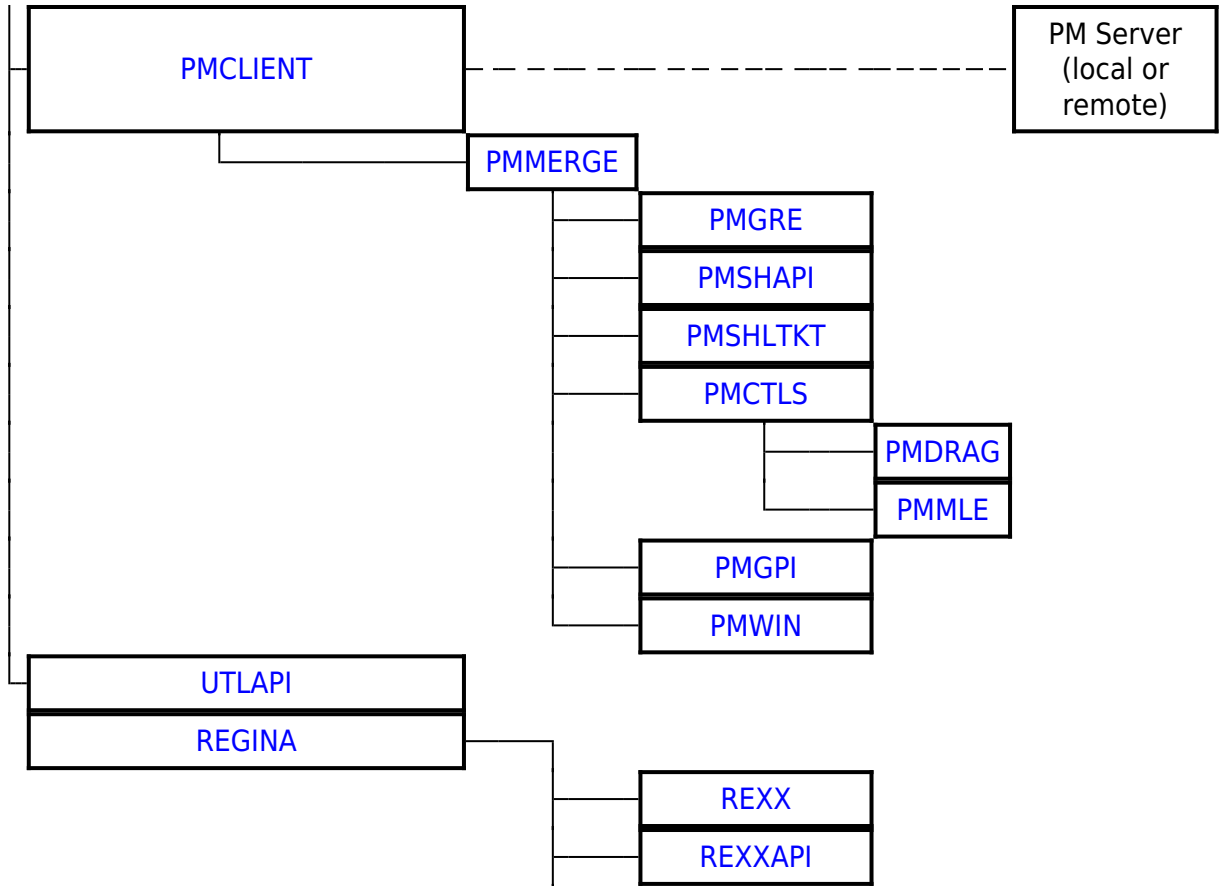
Ordinal	Name	Desc	Status
37	Drg32DeleteStrHandle	Forwarder to PMCTLS.79	Done
38	Drg32Drag	Forwarder to PMCTLS.80	Done
39	Drg32FreeDraginfo	Forwarder to PMCTLS.81	Done
40	Drg32FreeDragtransfer	Forwarder to PMCTLS.82	Done
41	Drg32GetPS	Forwarder to PMCTLS.83	Done
42	Drg32PostTransferMsg	Forwarder to PMCTLS.84	Done
43	Drg32PushDraginfo	Forwarder to PMCTLS.85	Done
44	Drg32QueryDragitem	Forwarder to PMCTLS.86	Done
45	Drg32QueryDragitemCount	Forwarder to PMCTLS.87	Done
46	Drg32QueryDragitemPtr	Forwarder to PMCTLS.88	Done
47	Drg32QueryNativeRMF	Forwarder to PMCTLS.89	Done
48	Drg32QueryNativeRMFLen	Forwarder to PMCTLS.90	Done
49	Drg32QueryStrName	Forwarder to PMCTLS.91	Done
50	Drg32QueryStrNameLen	Forwarder to PMCTLS.92	Done
51	Drg32QueryTrueType	Forwarder to PMCTLS.93	Done
52	Drg32QueryTrueTypeLen	Forwarder to PMCTLS.94	Done
53	Drg32ReleasePS	Forwarder to PMCTLS.95	Done
54	Drg32SendTransferMsg	Forwarder to PMCTLS.96	Done
55	Drg32SetDragPointer	Forwarder to PMCTLS.97	Done
56	Drg32SetDragImage	Forwarder to PMCTLS.98	Done
57	Drg32SetDragitem	Forwarder to PMCTLS.99	Done
58	Drg32VerifyNativeRMF	Forwarder to PMCTLS.100	Done
59	Drg32VerifyRMF	Forwarder to PMCTLS.101	Done
60	Drg32VerifyTrueType	Forwarder to PMCTLS.102	Done
61	Drg32VerifyType	Forwarder to PMCTLS.103	Done
62	Drg32VerifyTypeSet	Forwarder to PMCTLS.104	Done
63	DrgDragFiles	Forwarder to PMCTLS.72	Done
64	DrgAcceptDroppedFiles	Forwarder to PMCTLS.73	Done
65	Drg32DragFiles	Forwarder to PMCTLS.105	Done
66	Drg32AcceptDroppedFiles	Forwarder to PMCTLS.106	Done
67	DrgLazyDrag	Forwarder to PMCTLS.284	Done
68	DrgCancelLazyDrag	Forwarder to PMCTLS.285	Done
69	DrgLazyDrop	Forwarder to PMCTLS.286	Done
70	DrgQueryDraginfoPtr	Forwarder to PMCTLS.287	Done
71	DrgQueryDraginfoPtrFromHwnd	Forwarder to PMCTLS.288	Done
72	DrgQueryDraginfoPtrFromDragitem	Forwarder to PMCTLS.289	Done
73	DrgQueryDragStatus	Forwarder to PMCTLS.290	Done
74	DrgReallocDraginfo	Forwarder to PMCTLS.291	Done
75	Drg32QueryFormat	Forwarder to PMCTLS.107	Done
76	DrgGetClipPS	Forwarder to PMCTLS.108	Done

OS/2 DLLs

Base API	DOSCALLS EMXWRAP SUB32 ANSICALL NLS MSG MONCALLS KBDSCALLS MOUCALLS VIOCALLS SESMGR BKSCALLS BMSCALLS BVSCALLS NAMPIPES QUECALLS OS2CHAR
----------	--

OS/2 DLLs	
Bidirectional NLS	BDCALLS BDCALLS32 BDIME BDBVH BDVIEW BDWPCLS BIDIPM PMBIDI
Unicode API	UCONV UNIKBD LIBUNI
BVH (Base Video Handlers)	BVHINIT BVHMPA BVHVGA BVHSVGA BVHWNDW
GRADD subsystem	VMAN SOFTDRAW GRE2VMAN GENGRADD
IPF (Information Presentation facility)	HELPMGR HPMGRMRI MINXOBJ IBMHMGR NEWVIEW MINXMRI ERRTXT
REXX	REXX REXXAPI REXXUTIL REGINA
The core PM DLL's	PMMERGE PMMRGRES PMSHAPI PMSHLTKT PMGRE PMGPI PMDRAG PMCTLS PMMLE PMSPL PMVIOP PMWIN
Open32	PMWINX MIRRORS REGISTRY
Intelligent Font Interface drivers	PMATM TRUETYPE PMUNIF FREETYPE PMPRE
Data Exchange	PMCLIP PMDDE PMDDEML
VDM PM interface	PMVDMH PMVDMP SEAMLESS SHIELD
WPS	PMWP PMWPMRU PMVDDROP
Miscellaneous	PMPIC PMTKT MVDM
SOM API	SOM SOMC





2016/07/25 02:16 · prokushev · 0 Comments

From: <https://cocorico.osfree.org/doku/> - osFree wiki

Permanent link: <https://cocorico.osfree.org/doku/doku.php?id=en:docs:os2:modules:pmdrag>

Last update: **2018/08/09 10:14**

